

## Specifications

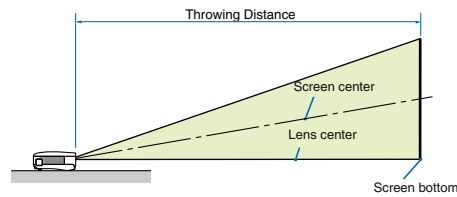
		LT35	LT30	LT25
<b>DMD Panel*1</b>		1chip DMD reflection type, 0.7 inch 1,024 x 768 pixels, Aspect Ratio 4 : 3		
<b>Lens</b>		Manual Zoom (Range 1 to 1.2) (f=25.7mm to 30.8mm) Auto Focus (effective range: 1.4m to 5.5m*2)/Power focus		
<b>Lamp</b>	<b>Normal Mode</b>	220W AC		200W AC
	<b>Eco Mode</b>		170W	
<b>Lamp Life*3</b>	<b>Normal Mode</b>		2,000H	
	<b>Eco Mode</b>		2,500H	
<b>Power Consumption</b>	<b>Normal Mode</b>	280W		260W
	<b>Eco Mode</b>	230W		230W
	<b>Standby Mode</b>	8W		8W
<b>Input Current</b>		3.1A to 1.4A (100 to 240V AC)		2.8A to 1.3A (100 to 240V AC)
<b>Light Output</b>	<b>Normal Mode</b>	3,000 ANSI lumens	2,600 ANSI lumens	2,200 ANSI lumens
	<b>Eco Mode</b>	2,300 ANSI lumens	2,200 ANSI lumens	1,900 ANSI lumens
<b>Contrast Ratio (White/Black)</b>		1,600 : 1		1,500 : 1
<b>Quietness</b>	<b>Normal Mode</b>	40dB		37dB
	<b>Eco Mode</b>	33dB		33dB
<b>Image Size</b>		30 inch to 300 inch diagonal		
<b>Projection Distance</b>		1.1m to 13.3m		
<b>Projection Angle</b>		10° to 12°		
<b>Maximum Resolution</b>		SXGA+ (1,400 x 1,050) With scaling technology		
<b>Synchronization Range</b>	<b>Horizontal</b>	15kHz to 100kHz (RGB:24kHz or over)		
	<b>Vertical</b>	50Hz to 85Hz		
<b>Video Bandwidth</b>		RGB: 100MHz		
<b>Horizontal Resolution</b>		540TV Lines: NTSC/NTSC4.43/PAL/PAL-M/PAL-N/PAL60/Y - Cb - Cr		
<b>Colour Reproduction</b>		300TV Lines: SECAM		
		Full Colour, 16.77Million Colours Simultaneously		
		VGA, SVGA, XGA, SXGA, SXGA+		
<b>Input Terminals</b>	<b>1 Computer Input</b>	<b>D-Sub Mini 15pin</b>	RGBHV RGB H/V Sync Composite Sync Sync on G Stereo L/R Y Cb - Cr ( Pb - Pr)	
		<b>Stereo Mini Jack</b>	0.7Vp-p/75Ω 4.0Vp-p/TTL Polarity 4.0Vp-p/TTL Level 0.3Vp-p/75Ω Negative Polarity 0.5Vrms/22kΩ or over 1.0Vp-p/75Ω (With Sync)	
	<b>1 Component Input (Sharing With Computer)</b>	<b>D-Sub Mini 15pin (Sharing With Computer Input)</b>	Compatible signals 1125i(1080i), 750p(720p), 525p(480p), 525i(480i)/60Hz 1125i(1080i), 625p(576p), 625i(576i)/50Hz, Progressive PAL-scan/50Hz DVD Component Video Signal (15kHz)	
		<b>Audio Input is Sharing With Computer</b>	Specifications Same With Computer	
	<b>1 Video Input</b>	<b>RCA pin</b>	<b>Composite Video</b>	NTSC/NTSC4.43/PAL/PAL-N/PAL-M/PAL-60/SECAM 1.0Vp-p/75Ω Specifications Same With Computer
<b>1 S-Video Input</b>	<b>Mini DIN-4pin</b>	<b>Y</b>	1.0Vp-p/75Ω	
	<b>Audio Input is Sharing With Computer</b>	<b>C</b>	0.286Vp-p/75Ω Specifications Same With Computer	
<b>Control terminals</b>	<b>PC Control</b>	<b>Mini DIN-8pin</b>	RS-232C	
<b>Build-In Speaker</b>			1W Monaural	
<b>Keystone Correction Vertical</b>			Automatic/Manual max±16°	
<b>Environment</b>	<b>Operational Temperatures</b>	5°C to 40°C, 20 to 80% Humidity (Non-Condensing) (Eco mode selected automatically at 35°C to 40°C)		
	<b>Storage Temperatures</b>	-10°C to 50°C, 20 to 80% Humidity (Non-Condensing)		
<b>Power Requirement</b>		100 to 240V AC, 50Hz/60Hz		
<b>Regulations</b>	<b>For United States</b>	UL Approved (UL 60950-1), Meets FCC Class B Requirements		
	<b>For Canada</b>	UL Approved (CSA 60950-1), Meets DOC Canada Class B Requirements		
	<b>For Australia/New Zealand</b>	Meets AS/NZS CISPR.22 Class B		
	<b>For Europe</b>	Meets EMC Directive (EN55022, EN55024, EN61000-3-2, EN61000-3-3), Meets Low Voltage Directive (EN60950-1, TUV GS Approved)		
<b>Net Weight</b>		2.0kg		
<b>Dimensions (WxHxD)</b>		260mm x 89mm x 208.5mm (Not Including Protrusions)		

\*1 : DMD Panel technology consists of fine picture cells with more than 99.99% of the cells being active.

\*2 : Sizes of the projected images shall be 32 inches when the throwing distance is 1.4m, while it shall be 149 inches when the throwing distance is 5.5m. When the throwing distance is beyond 5.5m, it means that the focus sensor will not work correctly and that you need to use the FOCUS button to adjust the focus manually. In some cases, the Auto Focus may not work correctly or the Auto Focus range can be made narrower, depending on the environmental conditions.

\*3 : Lamp life is defined as the average time span for the brightness of the lamp to be reduced by half, it does not refer to the warranty period for the lamp.  
All specifications are subject to change without notice.

## Throwing Distance and Image Size



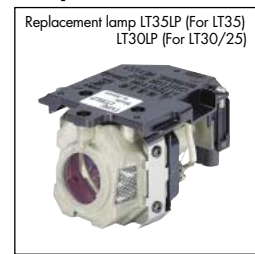
Screen Size (inch)	Throwing distance		Bottom Height
	Wide	Tele	
30	1.1m	1.2m	0cm
40	1.5m	1.7m	0cm
60	2.2m	2.6m	0cm
80	3.0m	3.5m	0cm
100	3.7m	4.4m	0cm
120	4.5m	5.3m	0cm
150	5.6m	6.6m	0cm
200	7.4m	8.8m	0cm
300	11.2m	13.3m	0cm

The actual throwing distance may vary within plus or minus 5%. The indicated distance is a design value only.

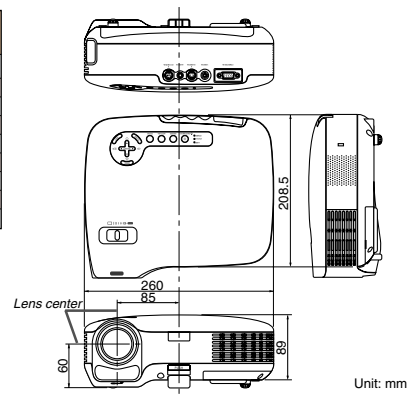
## Soft Case (basic accessory)



## Options



## Dimensions



Unit: mm

## Terminal Panel



## Remote Control



- Do not unplug the power cable from the wall outlet or projector when the projector is powered on. Doing so can cause damage to the AC IN connector of the projector and (or) the prong plug of the power cable.
- To turn off the AC power supply when the projector is powered on, use a power strip equipped with a switch and a breaker.
- The projector can be unplugged during its cool down period after it is turned off.
- Parts of the projector will become heated during operation. Use caution when picking up the projector immediately after it has been operating.
- Use caution when putting the projector in the soft case immediately after the projector has been operating. The projector cabinet is hot.

KDLP-0509-221RR



The DLP™ logo and DLP™ medallion are trademarks of Texas Instruments.  
XGA is a registered trademark of International Business Machines Corporation.  
All other trademarks are the property of their respective owners.  
This brochure uses recycled paper.

Empowered by Innovation

**NEC**

## Ultra Portable Projector

Empowered by Innovation

**NEC**

# LT35/LT30/LT25

High performance in a lightweight, compact projector featuring a variety of functions for bright, vivid images.

ANSI lumens  
**3000**  
LT35

**2kg**

**Auto Focus**



- Ultra Portable, High Brightness Projector features DLP™ technology
- Lightweight at 2.0 kg
- Auto Focus Function
- Direct Power Off Function
- Wall Colour Correction
- Auto Vertical keystone Correction
- Streamlined cabinet in a pearl-white finish



Impress and Express with Big Screen Solutions from NEC



# LT35/LT30/LT25

**Auto Focus** **3000 ANSI lm LT35** **2kg**

## ● High brightness of up to 3000 ANSI lumens with a compact, lightweight, 2.0 kg body

Although it has a highly transportable lightweight body weighing 2.0 kg, it achieves high brightness of 3000 ANSI lm, which is sufficient for use in a bright room. (This is for the LT35. The brightness is 2600 ANSI lm and 2200 ANSI lm for the LT30 and LT25, respectively.)

## ● Auto Focus Function by the focus sensor

The focus of the projected image is adjusted automatically by measuring the distance between the focus sensor and the screen. This function activates immediately whenever the power is turned on, the zoom function is adjusted or the position of the main unit is changed, so the projector can be set up easily without focusing every time.



Focus Sensor

## ● The projector can be put away quickly with Direct Power Off function

The projector can be turned off, even when projecting an image, using a power strip equipped with a switch and a breaker. Also, the power cable can be removed immediately after turning off the projector, so that the user can put the projector away immediately after terminating a conference or class.

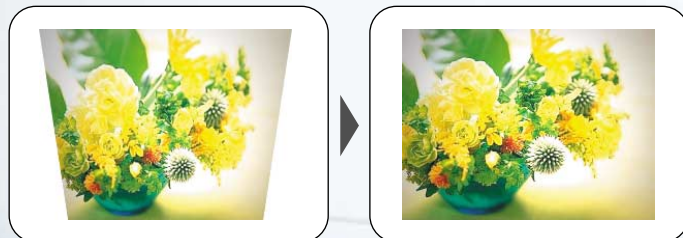
## ● Wall Colour Correction enables vivid images even without a screen

Without a screen, the projected images may be affected by the colours of the wall or blackboard. This projector has built-in colour correction for projecting images on a coloured wall or blackboard, so that the colour tones of the projected images can be approximated to those projected on a white screen. The following eight colour options are available as user selections: blackboard, blackboard (gray), light yellow, light green, light blue, sky blue, light rose and pink.



## ● Auto Vertical Keystone Correction adjusts the trapezoidal distortion to correct the projected image

If the position of the screen is too high or low, the projector must be installed at an angle, resulting in trapezoidal distortion of the projected images. The acceleration sensor built into the main unit senses the inclination of the unit in the vertical direction and then corrects for any trapezoidal distortion in the projected images automatically to project square images. (+/- 16 degrees from the projection angle) The user can set up the projector very quickly and easily since it is not necessary to correct it manually.



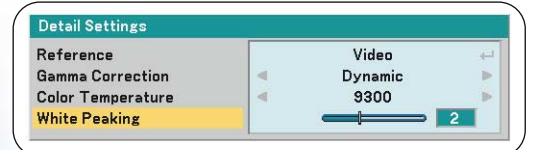
NEC

LT35/LT30/LT25 projectors have achieved high brightness in a highly transportable, lightweight, compact body.

Furthermore, with the Auto Focus function and the Direct Power Off function, the projector can be set up and put away easily. NEC's state-of-the-art technologies such as the Auto Vertical Keystone Correction and Wall Colour Correction are concentrated in the projector.

## ● Reproduction of more vivid colours are now available by the introduction of a newly designed Colour Wheel

Newly designed Colour Wheel reproduces images in more vivid colours. With the White Peaking function, more natural, vivid images can be projected. Furthermore, the user can correct gamma and adjust colour temperature with detailed settings.



## ● Eco Mode can be set with the remote control

In the Eco Mode, the lamp replacement period can be extended up to a maximum of 2500 hours (estimated). (The lamp replacement period in Normal Mode is 2000 hours (estimated)). By selecting this mode, total cost of ownership can be reduced effectively. Since it can be switched to Eco Mode with the remote controll as well, the user can easily change the lamp mode quickly.

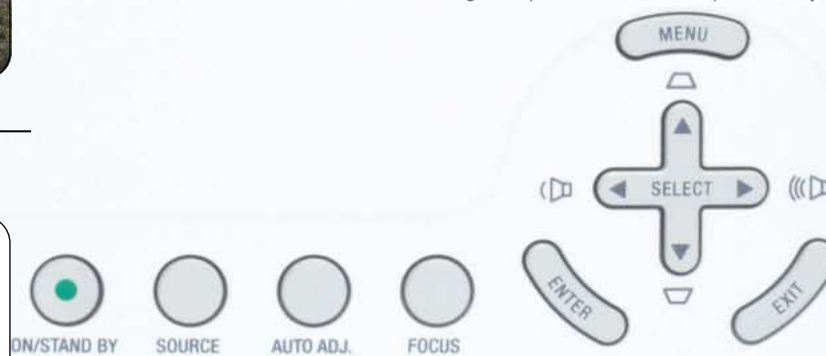


## ● Security function prevents unauthorized use or theft

By using passwords, the projector cannot be used by unauthorized persons. Once the Security function is in effect, a message requesting the password is displayed when the power of the main unit is turned on. It is impossible to project an image unless the proper password is entered.

## ● Streamlined body in a new pearl-white finish

The sleek, rounded design and pearl-white finish compliments any environment and decor.



**Actual Size** W×D: 260mm×208.5mm ▲  
(Not Including Protrusions)

Impress and Express with Big Screen Solutions from NEC